

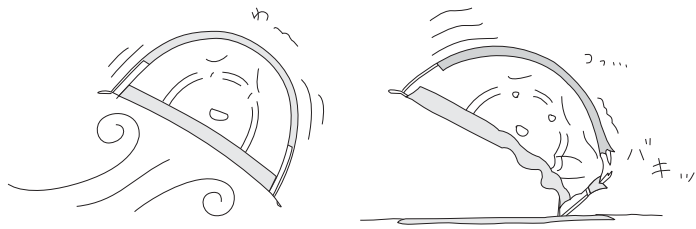


www.gipfelclimbing.com

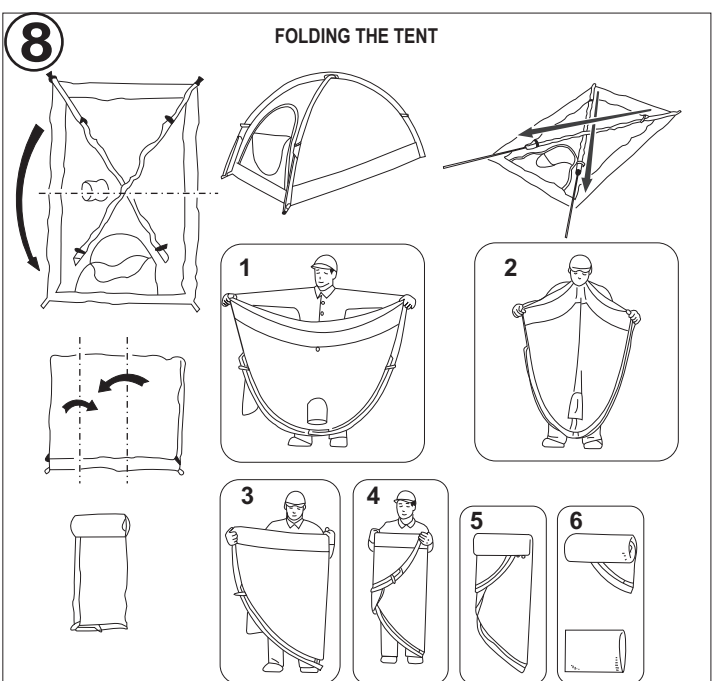
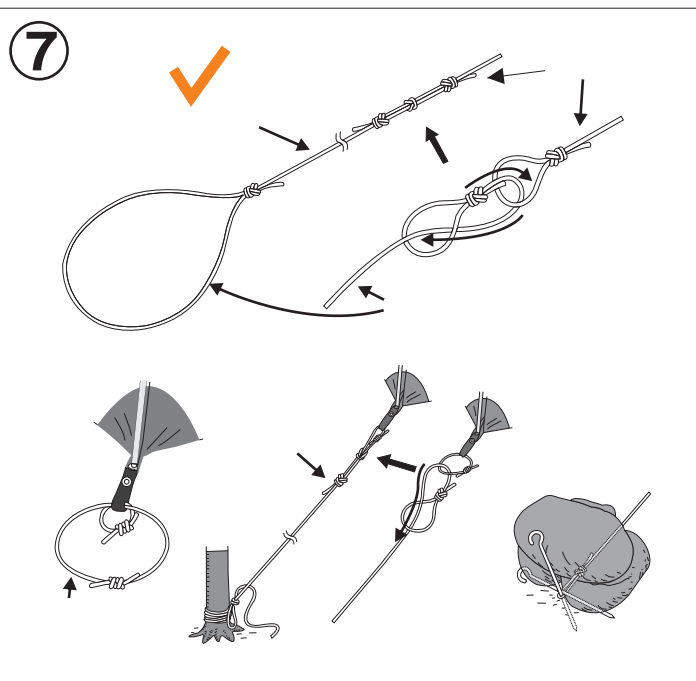
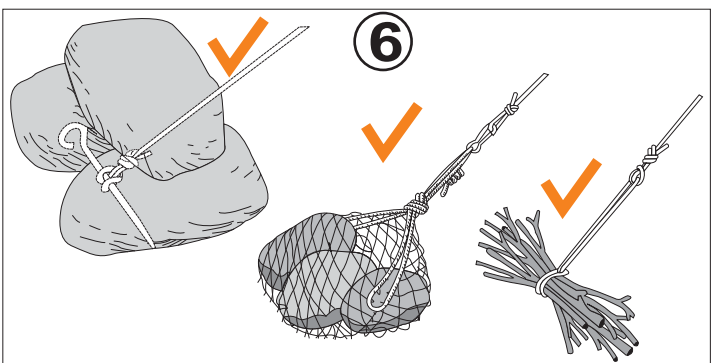
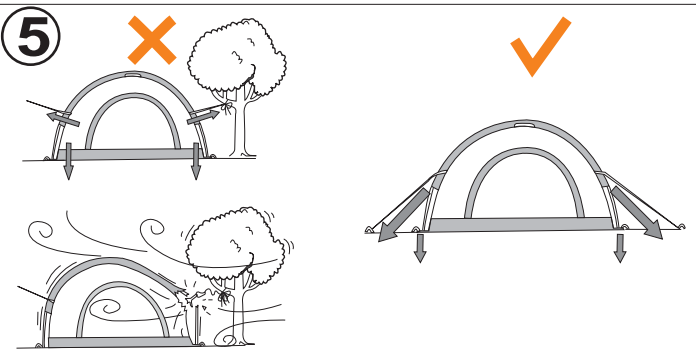
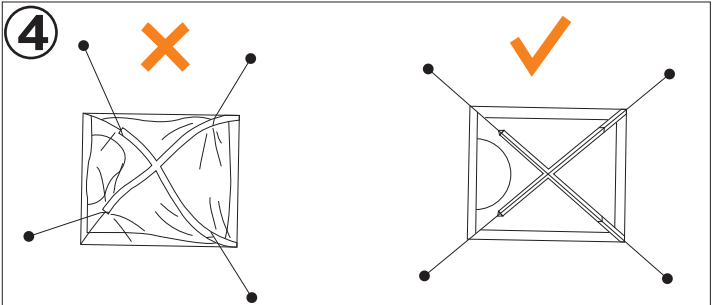
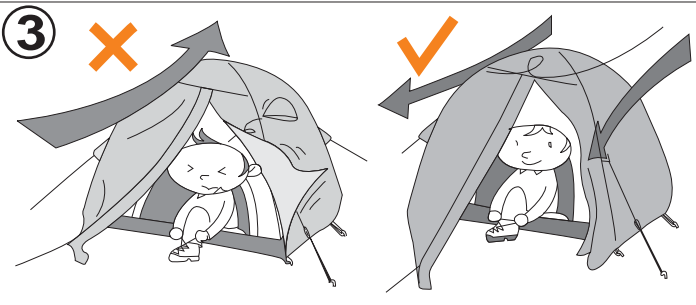
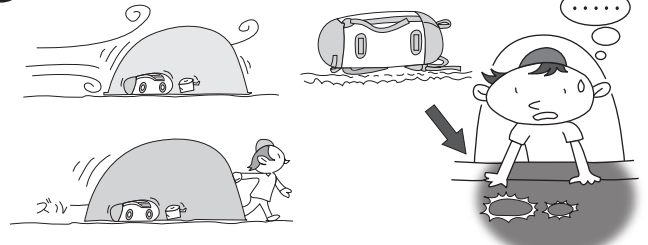
Gipfel Climbing Equipment  
Maxwel Exporters, Kunda Road  
Partapur, Meerut 250103, UP  
India

Customer care: cs@gipfelclimbing.com  
or call us on +91(0) 121 2440820/ 2440920 during  
working hours from Monday to Saturday, 0900-1800

**1** KEEP THE TENT ANCHORED IN HIGH WIND CONDITIONS

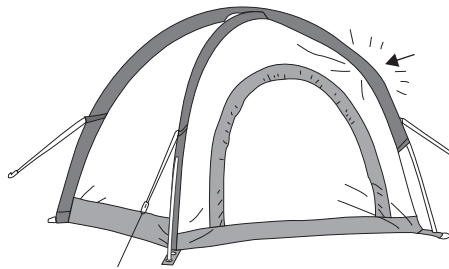
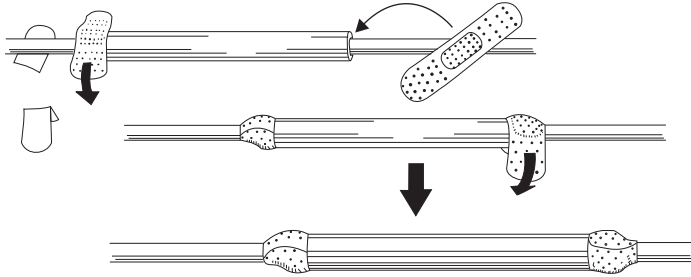
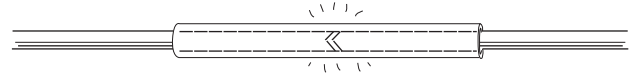
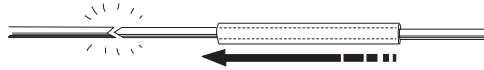
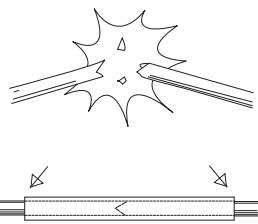
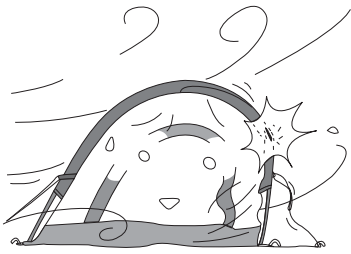


**2** REMOVE CRAMPONS AND SHARP OBJECTS OUTSIDE THE TENT



9

REPAIRING A SNAPPED POLE USING REPAIR TUBE



10

REPAIRING A TEAR IN THE TENT

